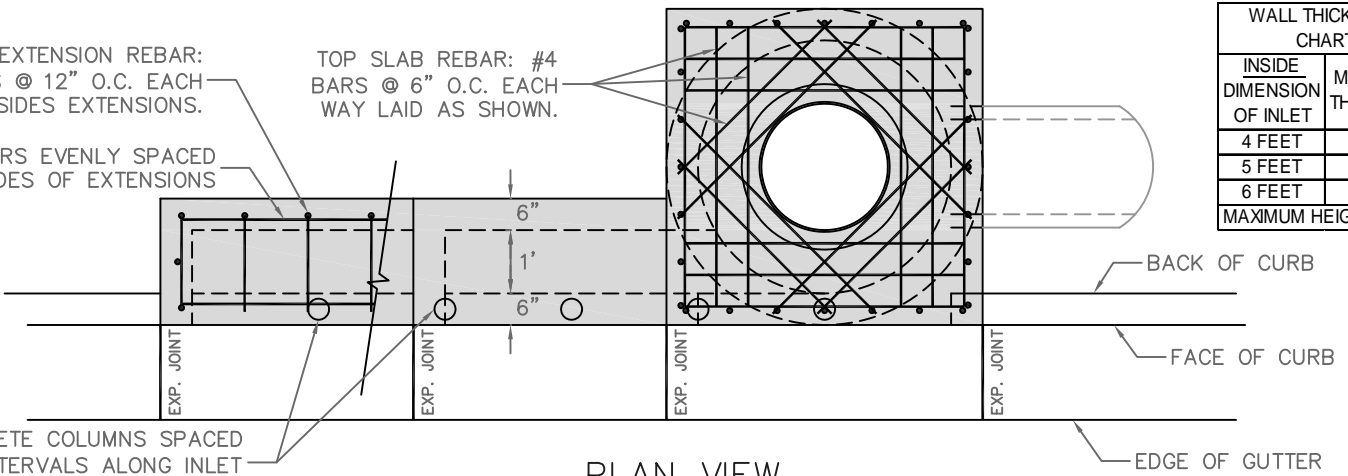


WALL THICKNESS CHART	
INSIDE DIMENSION OF INLET	MIN. WALL THICKNESS
4 FEET	6"
5 FEET	8"
6 FEET	8"
MAXIMUM HEIGHT: 10 FT	

TYPICAL EXTENSION REBAR: #4 BARS @ 12" O.C. EACH WAY ALL SIDES EXTENSIONS.

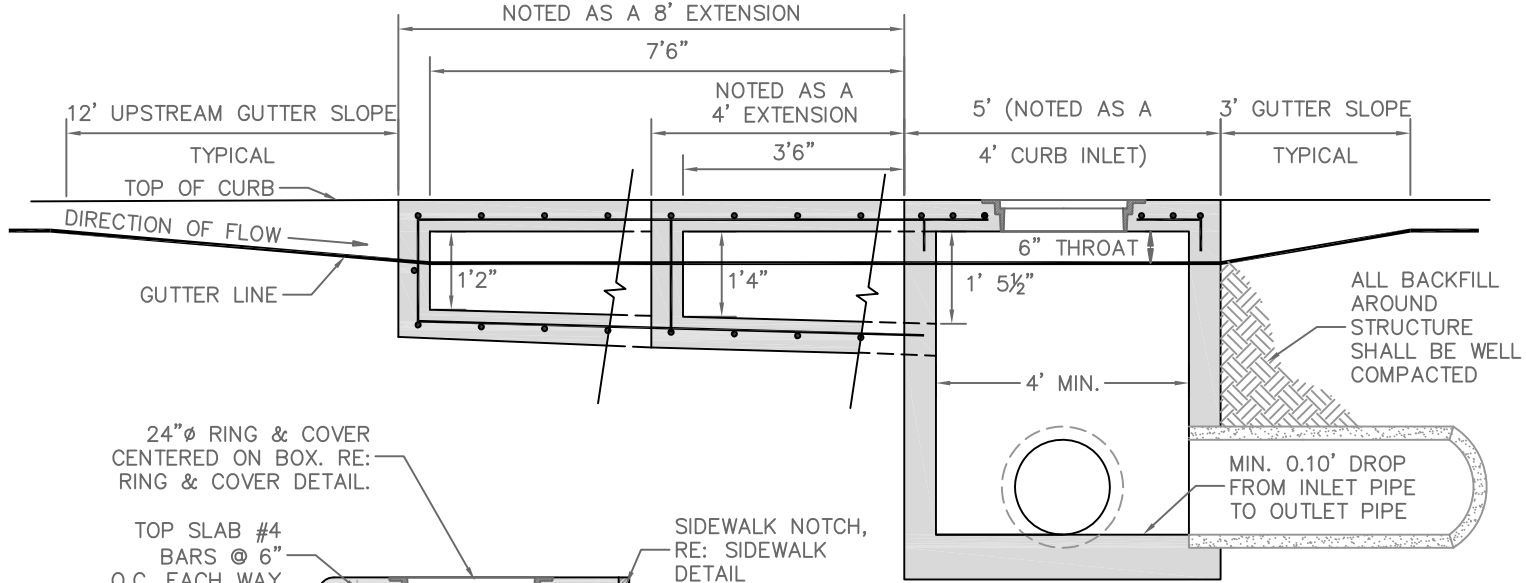
TOP SLAB REBAR: #4 BARS @ 6" O.C. EACH WAY LAID AS SHOWN.

3 - #4 BARS EVENLY SPACED ON ALL SIDES OF EXTENSIONS

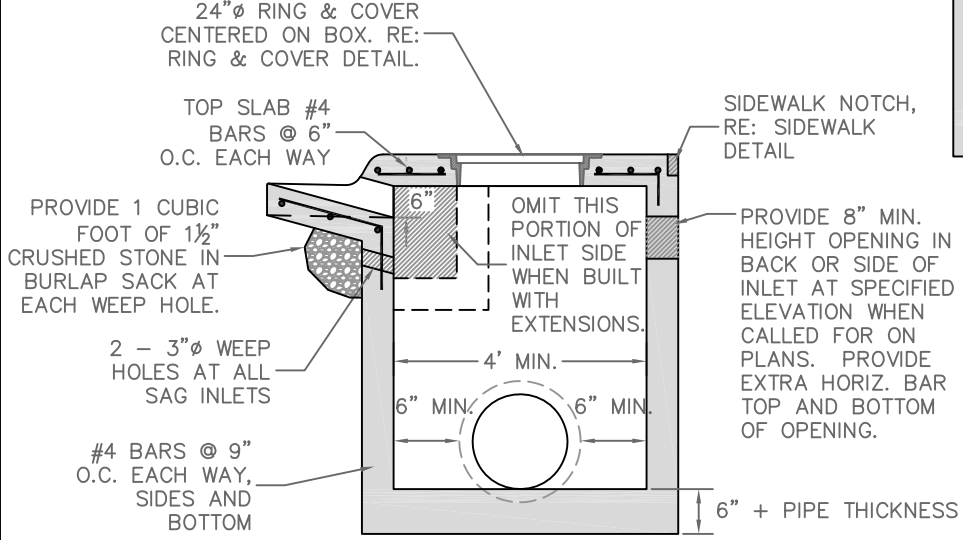


4"Ø CONCRETE COLUMNS SPACED @ 2'0" INTERVALS ALONG INLET THROAT TO SUPPORT TOP SLAB.

PLAN VIEW



ELEVATION VIEW



SECTION VIEW

1. PIPES MAY ENTER BOX FROM ANY ANGLE OR ELEVATION AS APPROVED BY ENGINEER.
2. REINFORCING BARS SHALL BE CUT TO CLEAR PIPE BY 1/2".
3. PROVIDE 3/4" CHAMFER ON ALL EXPOSED CORNERS.
4. ALL REINFORCING BARS SHALL BE GRADE 60 AND HAVE 2" MINIMUM COVER, UNLESS NOTED OTHERWISE.
5. ALL CONCRETE SHALL BE CLASS B PER CITY'S STANDARD SPECIFICATIONS (3500 PSI, 4-7% AIR ENTRAINED).
6. CONTACT THE CITY 24 HOURS PRIOR TO POURING CONCRETE FOR AN INSPECTION.
7. MANHOLES SHALL BE CONSTRUCTED THE SAME EXCEPT WITHOUT THE INLET OPENINGS.



**CITY OF ROGERS**  
 301 WEST CHESTNUT STREET  
 ROGERS, ARKANSAS 72756  
 (479) 621-1186

# CIRCULAR CURB INLET / MANHOLE DETAIL

NOT TO SCALE

FEBRUARY 15, 2012